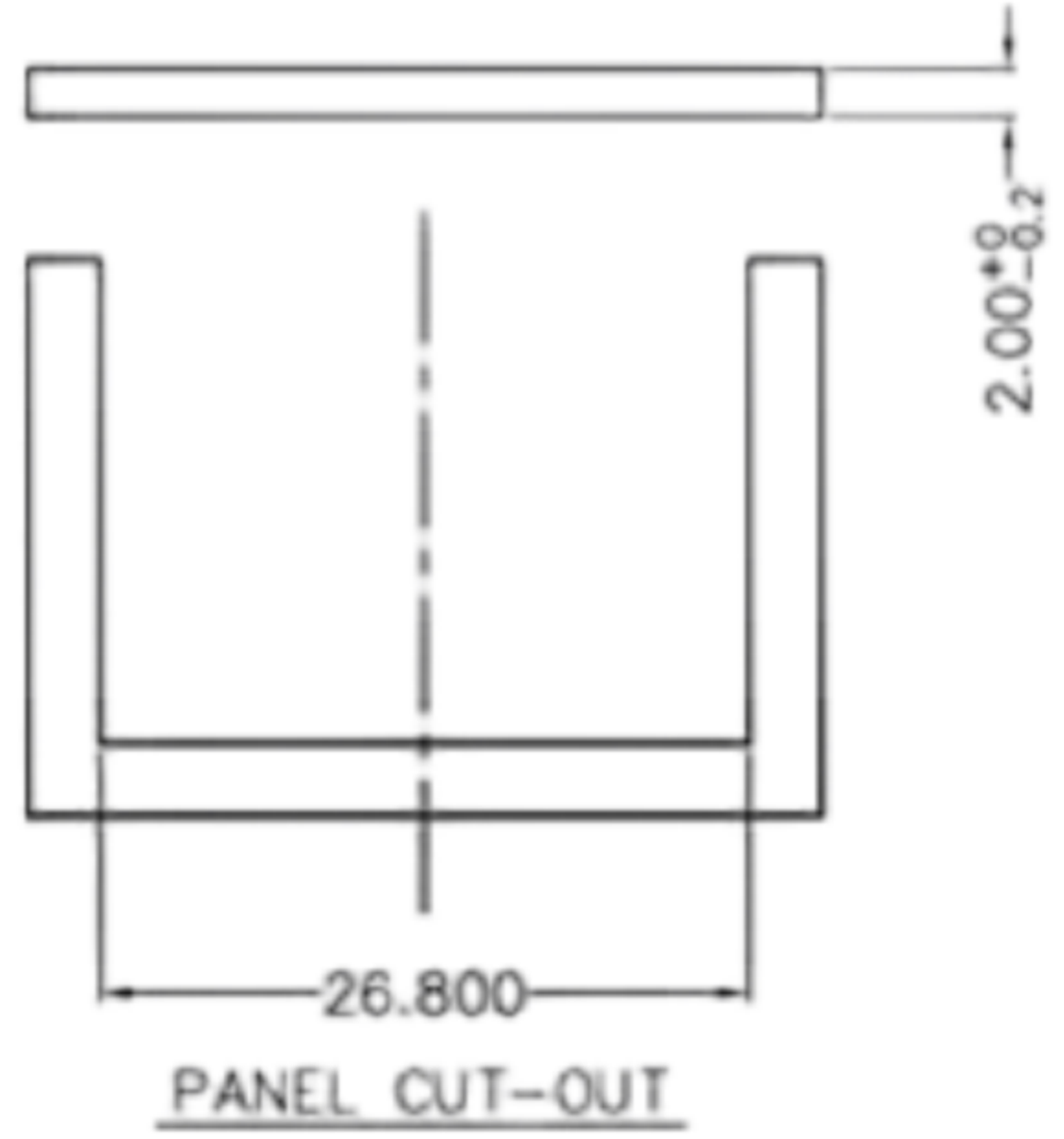
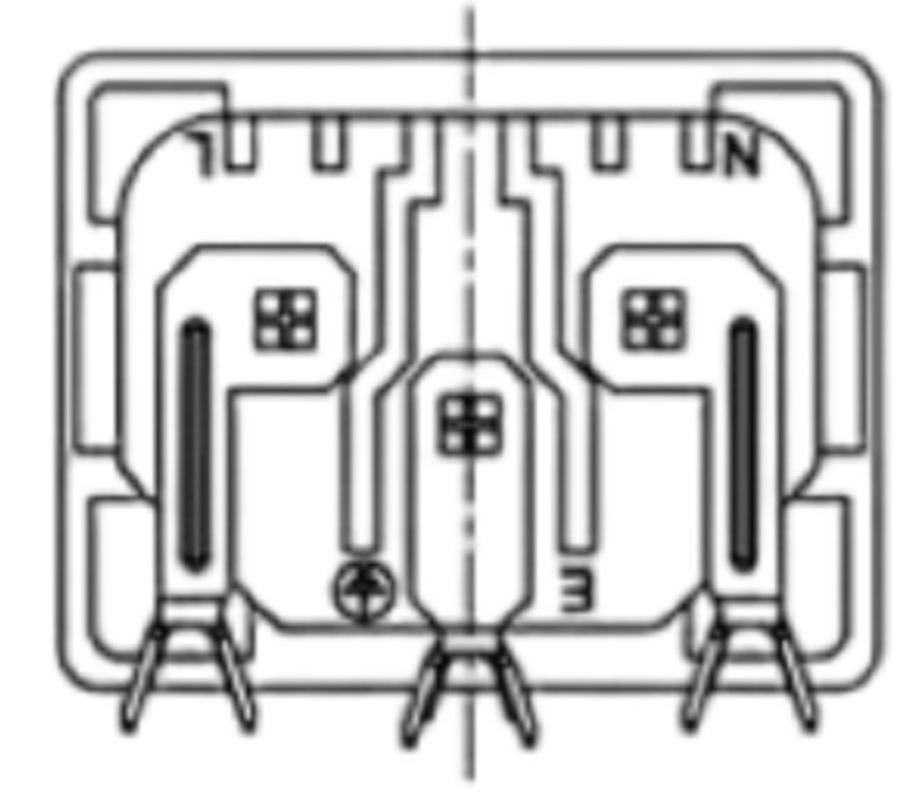
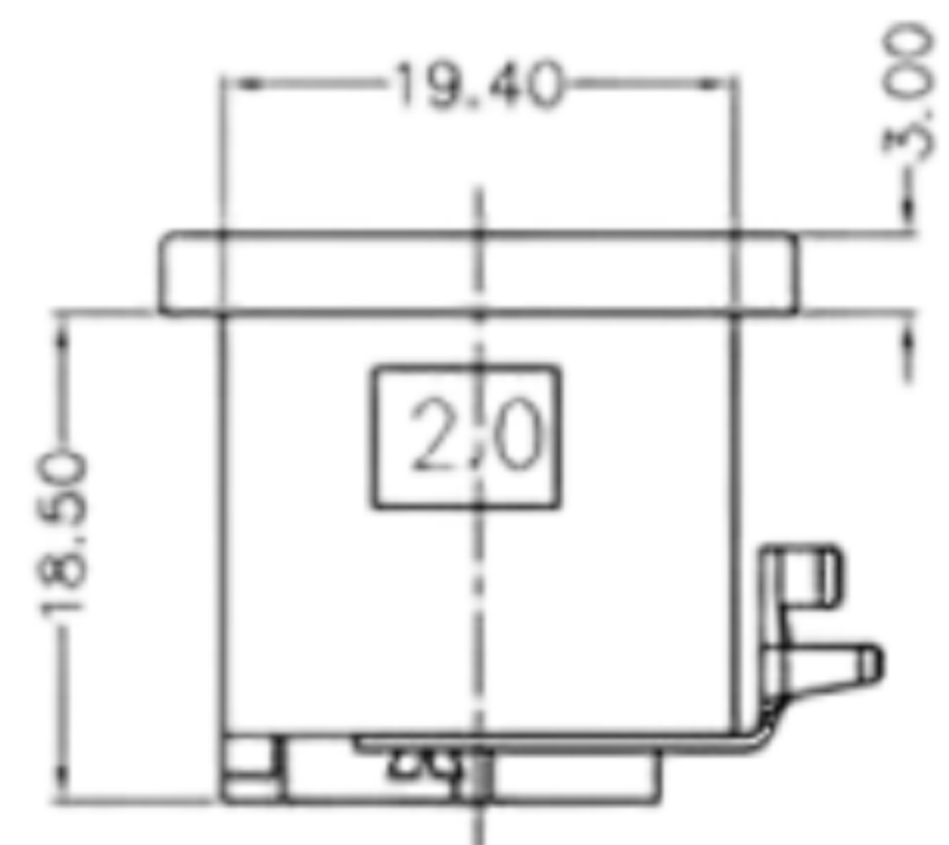
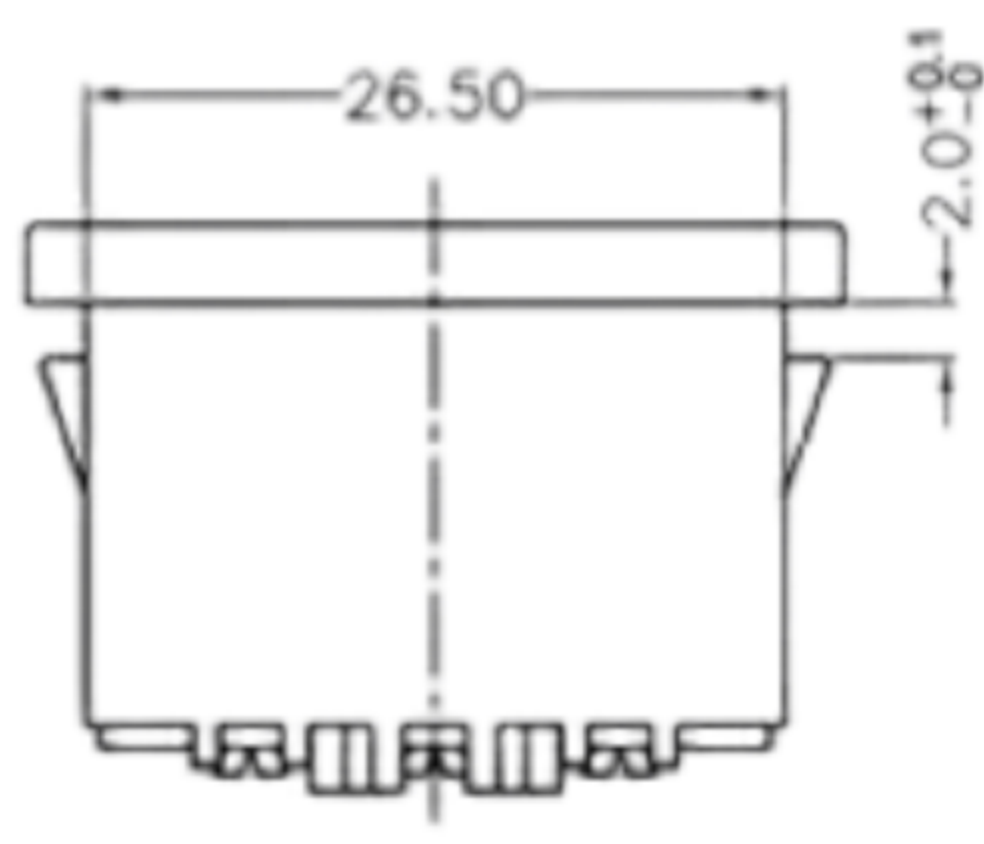
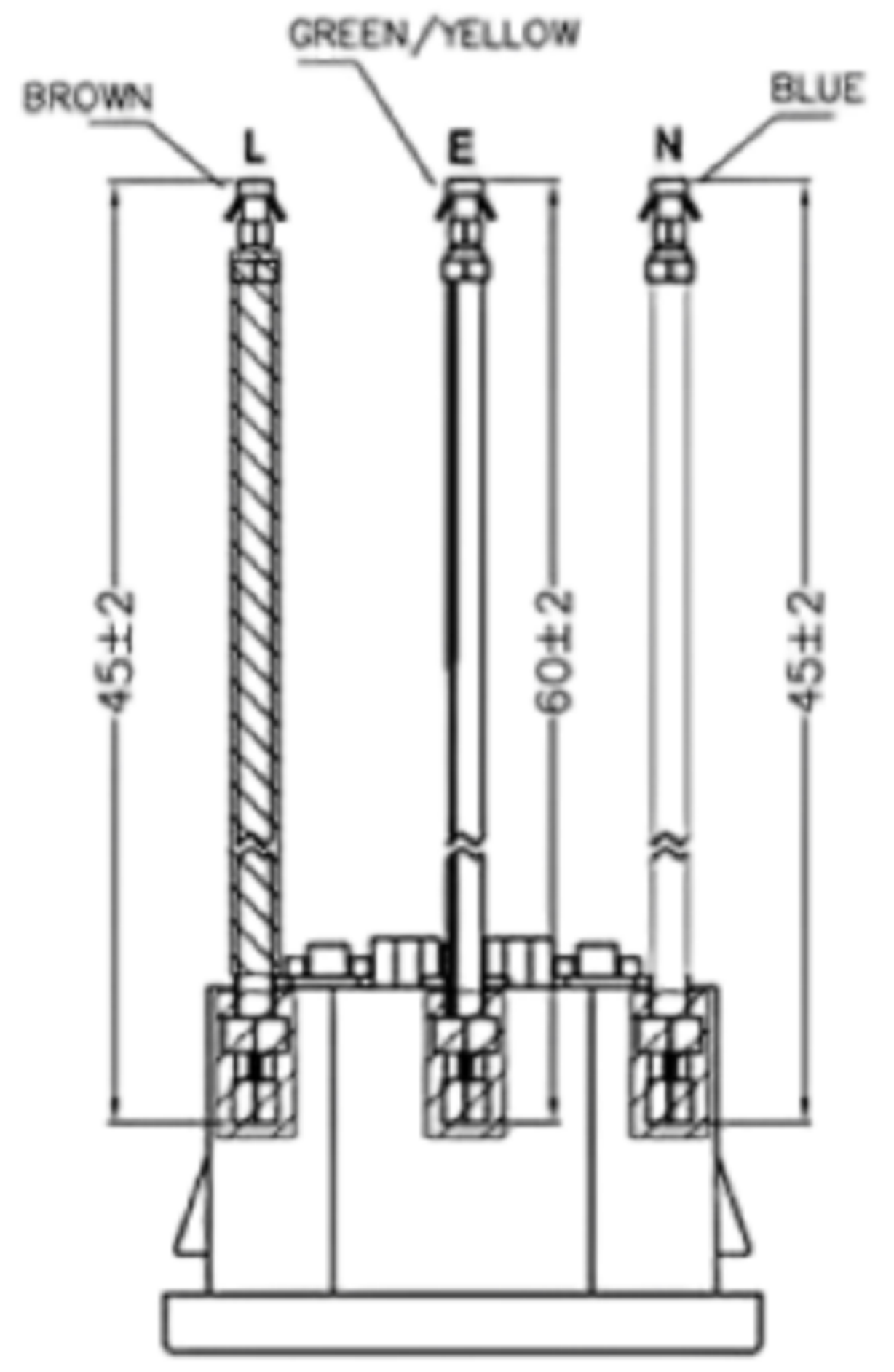
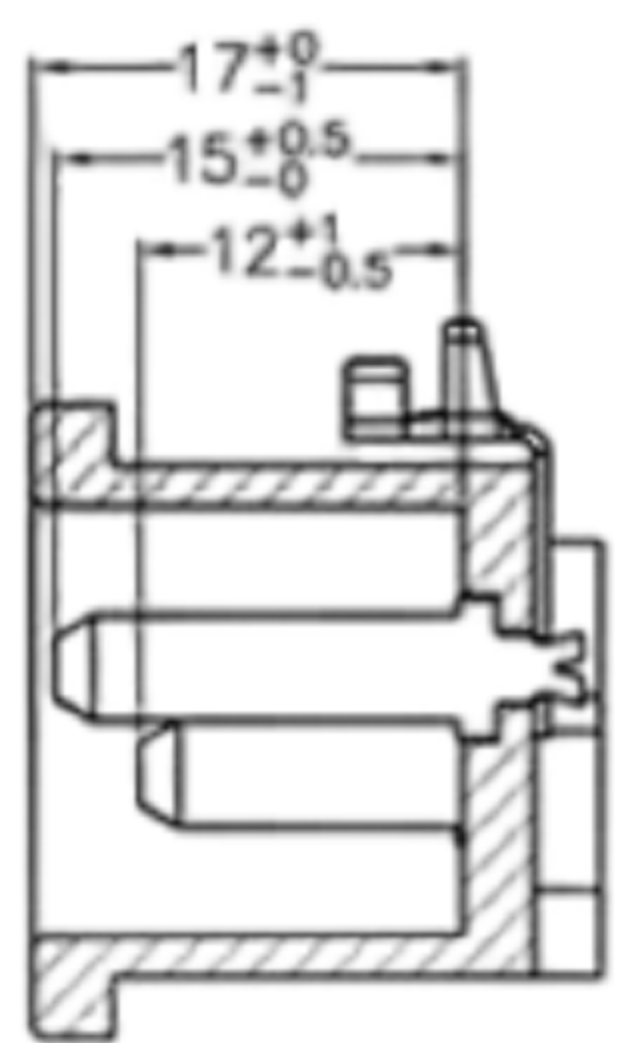
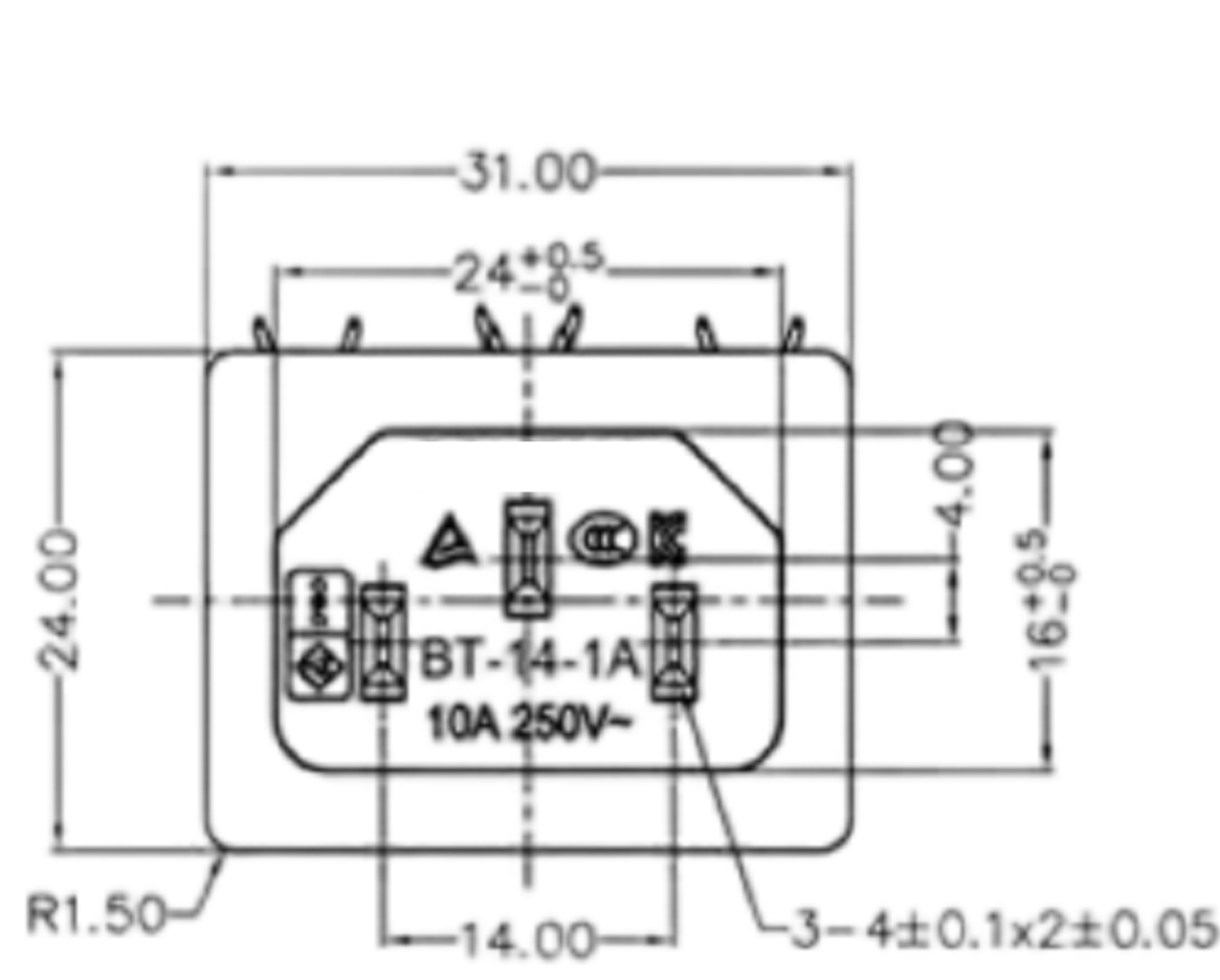


A B C D E F G H I J



产品类型特性

- 1. AC插座 材质
- 2. 塑胶件 PA66
- 3. 插销黄铜镀镍
- 4. 端子黄铜镀锡
- 1. 使用温度范围: $-10^{\circ}\text{C} \pm 70^{\circ}\text{C}$
- 2. 额定值: 10A/15A AC 125V 250AC
- 3. 绝缘电阻: $100\text{M}\Omega$
- 4. 耐电压: 2500V AC
- 5. 接触电阻: $30\text{M}\Omega$
- 6. 寿命: 5000次
- 结构特性 插拔力: $13.6\text{N} \sim 68\text{N}$
- 端子强度: 60N
- 盐雾测试: $35 \pm 2^{\circ}\text{C}$ 24/h
- 耐环境性能 耐寒性能 $-20 \pm 2^{\circ}\text{C}$ 96/h
- 耐热性能 $100 \pm 2^{\circ}\text{C}$ 96/h
- 耐湿性能 $40 \pm 2^{\circ}\text{C}$ 相对湿度90~95% 96/h



東莞市高迪電子有限公司
DONG GUAN GAO DI ELECTRONICS CO., LTD

TOLERANCE UNLESS OTHERWISE STATED:	Up to 5 ±0.2	Above 5 ~ 15 ±0.3	Above 15 ~ 30 ±0.4	Above 30 ~ 50 ±0.5	Angle ±0.3°	3RD. ANGEL'S	UNITS	MM
------------------------------------	--------------	-------------------	--------------------	--------------------	-------------	--------------	-------	----

DRAWN BY:	DATE	MAT'L	TITLE	SWITCH
Ming Ming Zou	10/31/13			
CHECKED BY:	DATE	FINISH	MODLE	AC POWER SOCKET
Ning Ning Su	10/31/13			
APPROVED BY:	DATE	SCALE	DWG NO.	GD-BT-14-1A-S
Jia Xiang	10/31/13	1:1	PART NO.	
SHEET NO.	1 of 1			

ITEM NO.	DESCRIPTION	DRAWN	DATE

A B C D E F G H I J